

Professional Grade Area & Pathlights

ROXY

Roxy, Illumicare's weathered brass path and area light, adds beauty and safety to any landscape design.

With an adjustable lamp base, Roxy offers a soft, dim light which accents walkways, plant beds, path borders and even stairs. Her frosted polycarbonate lens protects the lamp and socket from water, moisture and debris.

Placed at even intervals throughout your design, this weathered red brass pathlight will cast symmetrical light patterns on the ground, efficiently illuminating areas around landscape water features, including ponds or pools.

To feature variations in your landscape design, Roxy can also be used to highlight small plants beds, shrubs and flowering plants.



MISTY

Misty, our miniature path and area light, can be used to edge driveways, stairs, and even small garden paths that lead to decks, pools and patios.

To accent small plant beds or slender pathways, Misty's narrow shielding and compact beams spread offers landscape designers the perfect option for more focused illumination.

Installed on the side of your paths, Misty will cast dim light in small symmetrical patterns, highlighting hardscaping material and foliage while providing ample light for navigation and covering the boundaries in a degree of darkness.

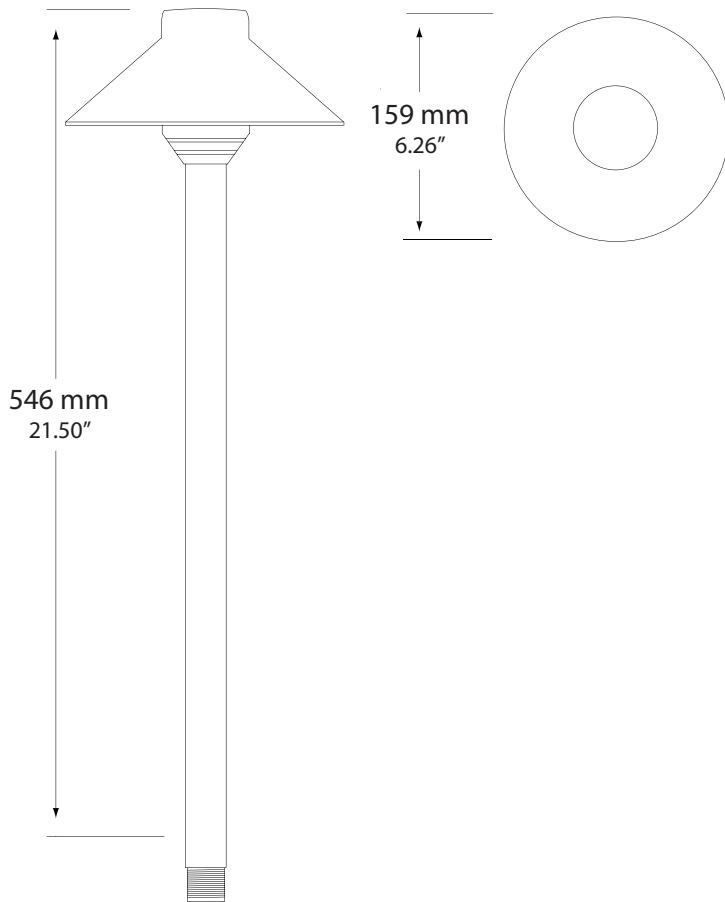
To protect the lamp and socket from water, moisture and debris, Misty's sleek, compact brass construction includes a shock-proof frosted polycarbonate lens.

Misty is an essential area light for any landscape design project.



Professional Grade Area & Pathlights

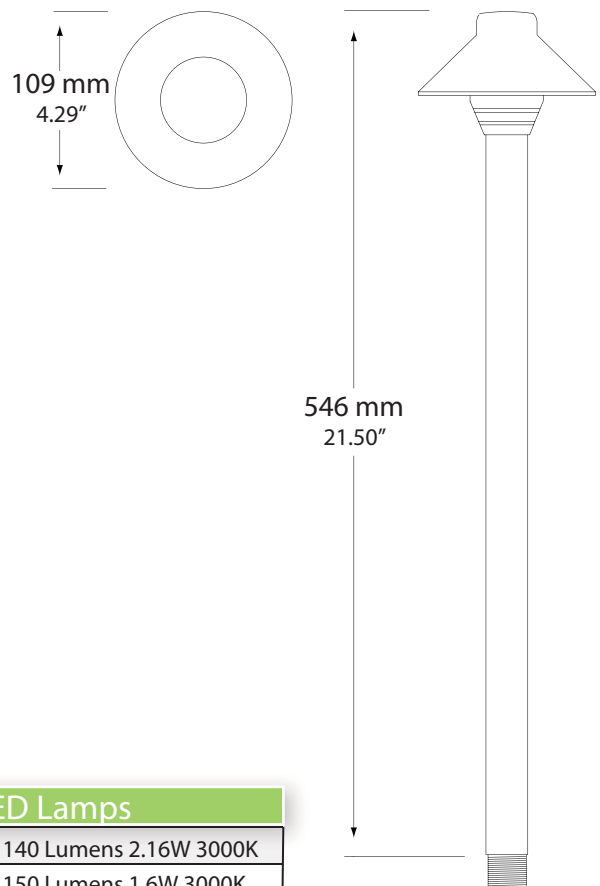
ROXY



Voltage: 12V
Construction: Solid Cast Brass
Weight: 2.35 lbs
Finish: Weathered Red Brass
Wire: 36" 18/2 UL Rated Lead Wire
Socket: Beryllium Copper, G4 BiPin Socket, pre-greased
Wattage: Maximum 20 Watts
Lens: Frosted Tempered Glass
Mounting: Brass Stake Included
Lamp Not Included

MISTY

Voltage: 12V
Construction: Solid Cast Brass
Weight: 2.35 lbs
Finish: Weathered Red Brass
Wire: 36" 18/2 UL Rated Lead Wire
Socket: Beryllium Copper, G4 BiPin Socket, pre-greased
Wattage: Maximum 20 Watts
Lens: Frosted Tempered Glass
Mounting: Brass Stake Included
Lamp Not Included



Recommended LED Lamps

LED 19MM G4 BiPin	140 Lumens 2.16W 3000K
LED G4 BIPIN REAR	150 Lumens 1.6W 3000K